

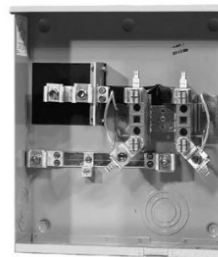
Siemens, Model # SUAS877-PG
(or **Landis & Gyr # UAS877-PG**)



Eaton-Durham
Model # UTRS223ACH



Midwest
UTRS223AMEP



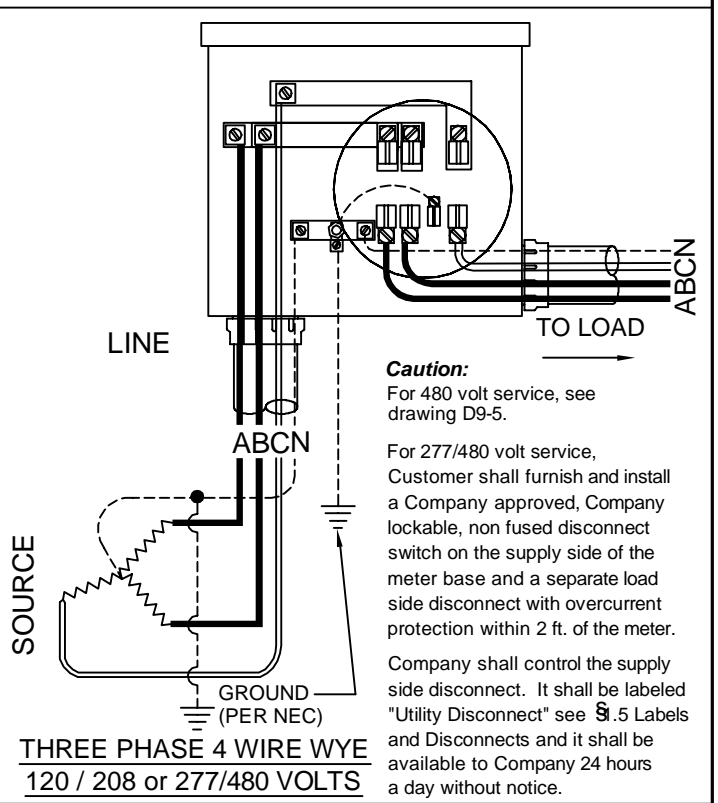
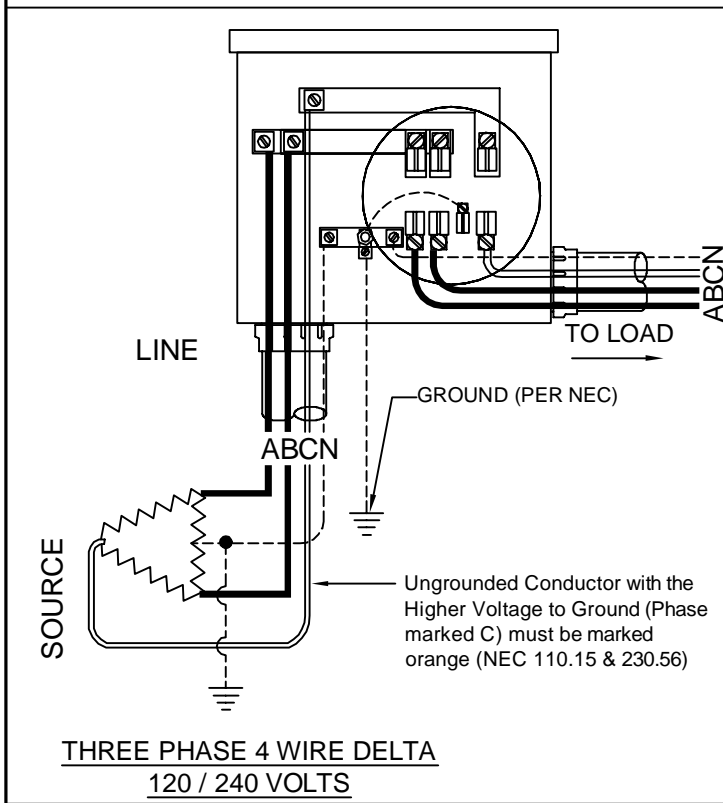
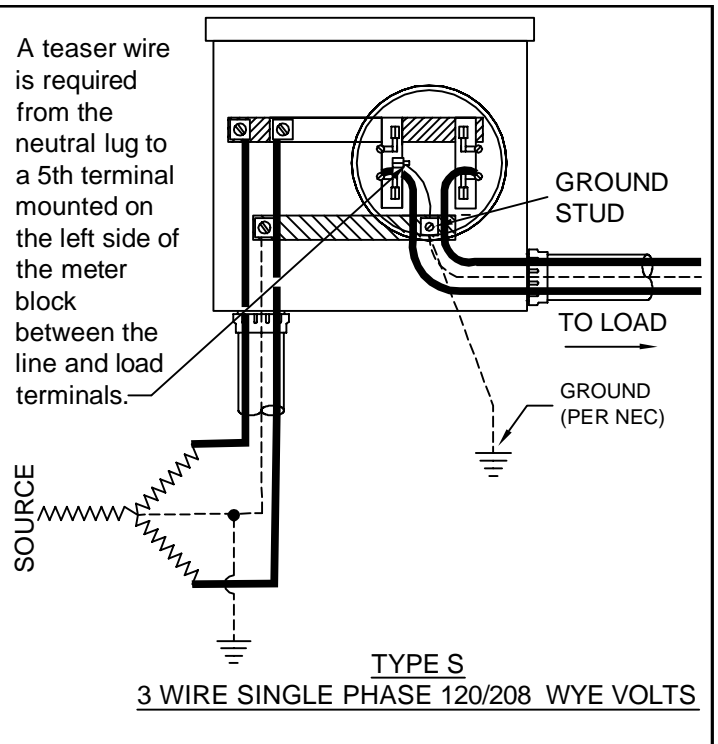
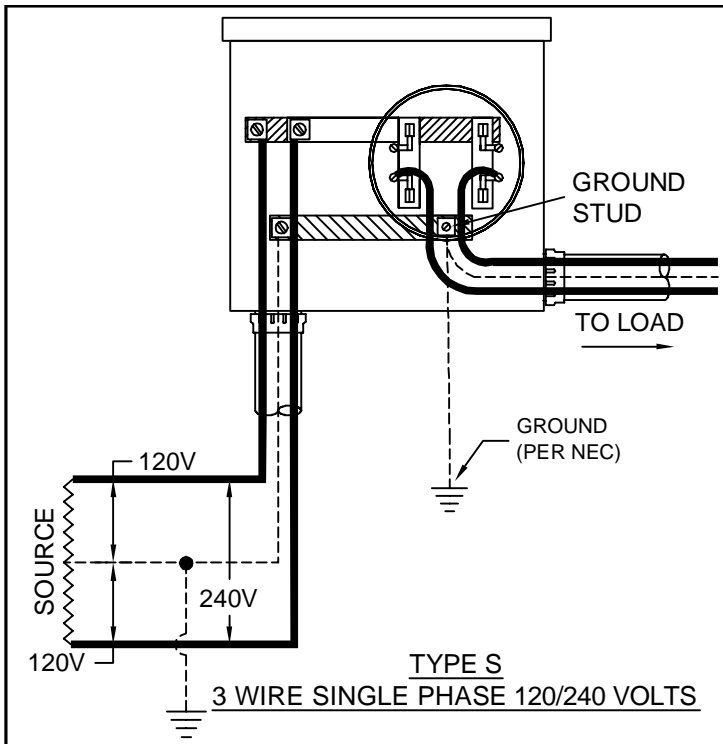
Milbank
Model # U1980-O

These are some examples of the single meter sockets we require for underground service. Our cable comes in on the bottom and goes straight into the terminal lugs. No Wire Bending Required.

Socket/Breaker combination panels with this design are also acceptable and shown on our web-page under "Meters".

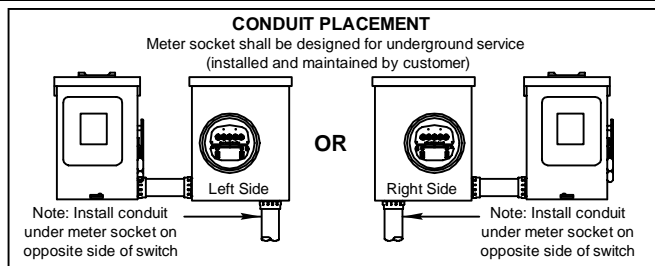
Effective June, 2008

Revised April, 2013



Notes:

1. All diagrams on this drawing show connections when the switch is installed on the right side (see Right Side below) of the meter socket. If the switch is installed on the left side of the meter socket you will need to mirror this diagram (see Left Side below).
2. All sockets, except residential single phase less than 320 Amps, shall have a manual mechanical gang operated bypass switch.
3. Load and supply wires shall not cross in the meter socket.



ENTERGY SERVICES, INC.
WIRING DIAGRAM CONNECTIONS FOR UNDERGROUND SELF CONTAINED METERS

APPROVED BY: JRH	DATE: 01/10/2013
CHECKED BY: JED	SCALE: NONE
DRAWN BY: krich95	

1	01/13	REVISION OF DRAWING SS11.8-2	EJH	
NO.	DATE:	REVISION	BY:	APPR:

No. D9-3

Entergy

PLOT	1=1	SH. 2 OF 2
------	-----	------------